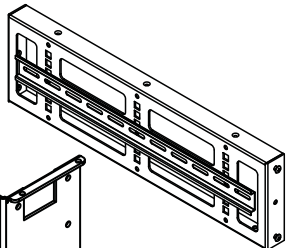


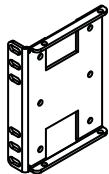
# IRP1033D 3U DIN Rail Panel Installation

## Included in this package

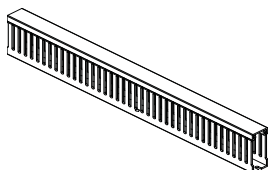
(1) 3U Din Rail Main Panel.



(2) 3U Ear Bracket



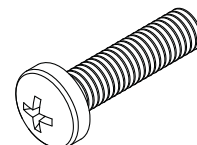
(2) PVC Wire Duct



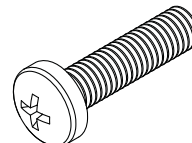
(9) M4 x 8 Screws



(4) #10-32 x 5/8 Rack Screws

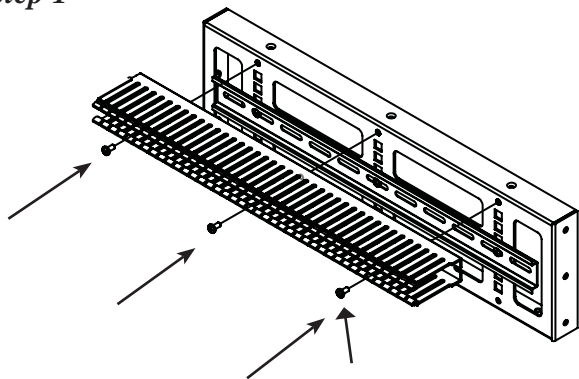


(4) #12-24 x 5/8 Rack Screws

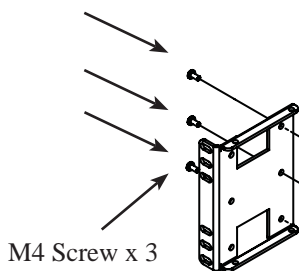


## Installation Steps

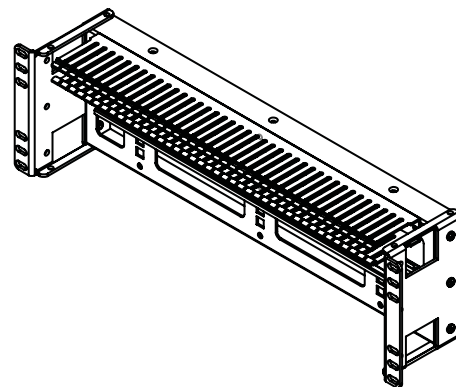
### Step 1



### Step 2



### Step 3



Assembly Complete.

